



Russell Hobbs

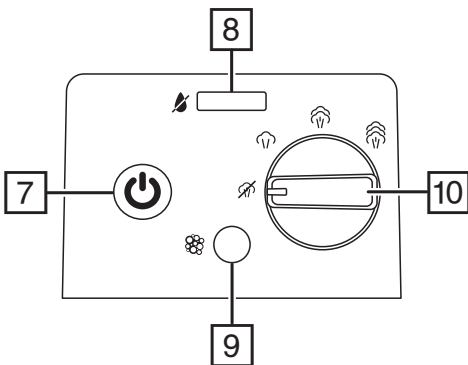
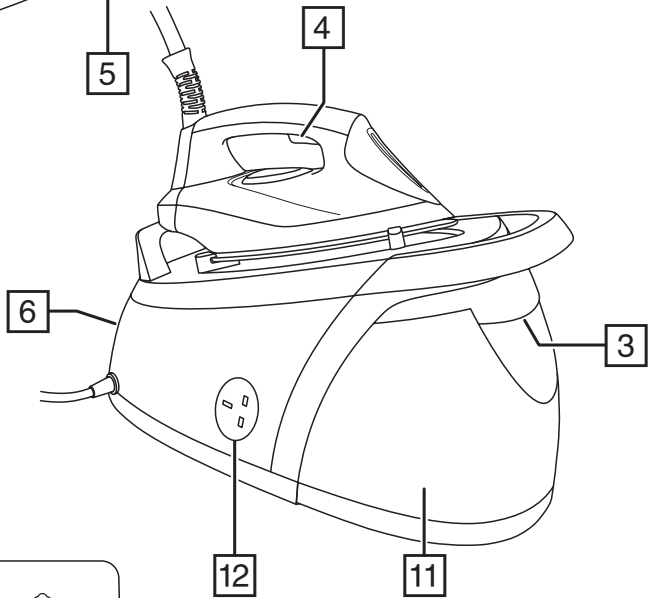
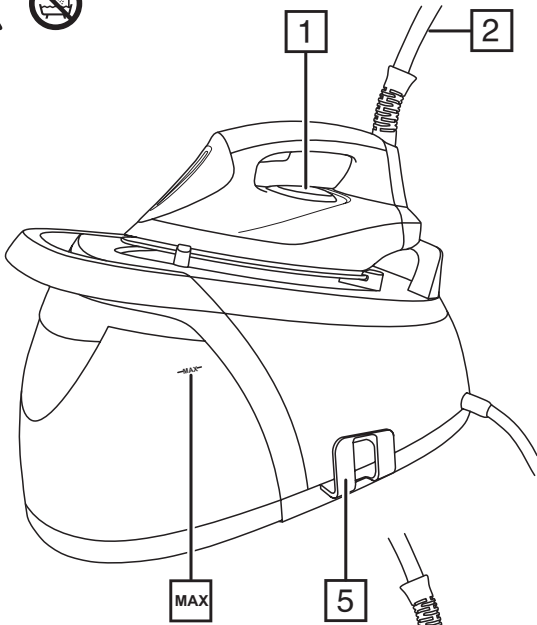


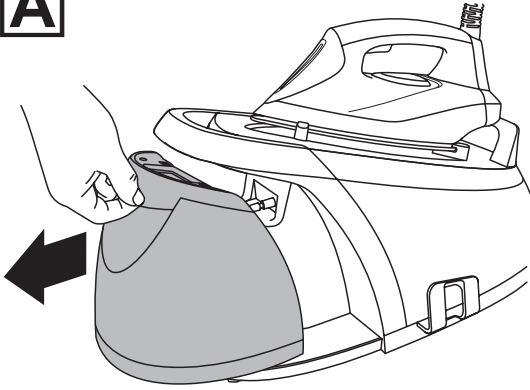
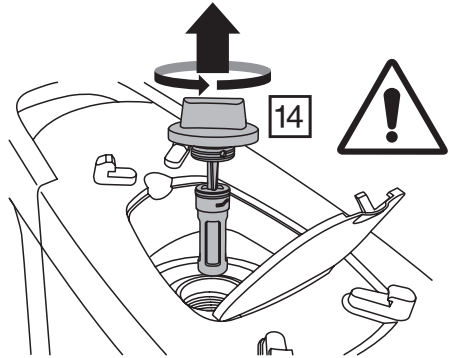
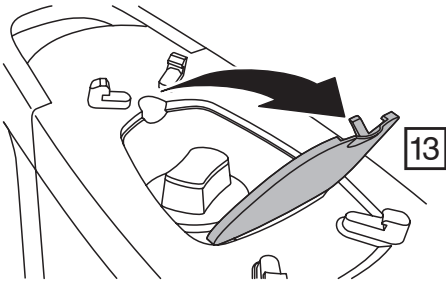
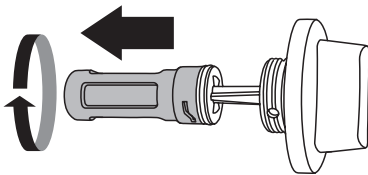
24460

 www.russellhobbs.com

Register online for an EXTRA year guarantee

Visit uk.russellhobbs.com/product-registration You must register within 28 days of purchase



A**B****C**

Read the instructions, keep them safe, pass them on if you pass the iron on.

IMPORTANT SAFEGUARDS

Follow basic safety precautions, including:

This appliance can be used by children aged from 8 years and above and persons with reduced physical, sensory or mental capabilities or lack of experience and knowledge if they have been supervised/instructed and understand the hazards involved. Children shall not play with the appliance. Cleaning and user maintenance shall not be done by children unless they are older than 8 and supervised. Keep the iron and cable out of reach of children under 8 years.


Sit the base unit on a stable, level, heat-resistant surface, preferably a purpose-built "steam generator" type ironing board.


Rest the iron only on the base unit.

Don't leave the iron unattended while plugged in or standing on the ironing board. It could be knocked over.

Don't use the iron if it's dropped, damaged, malfunctions or leaks.

If the cable is damaged, return the iron, to avoid hazard.

 The surfaces of the appliance will get hot.

 Don't put the iron in liquid, don't use it in a bathroom, near water, or outdoors.

- Route the cable so it doesn't overhang, and can't be tripped over or caught.
- Don't iron clothing while it's being worn – you'll burn or scald the wearer.
- Don't touch the soleplate, and keep away from the steam coming from it.
- Don't use the iron in the vicinity of children.
- Don't sit the base unit on a soft, carpeted, or upholstered surface, as this may block the vents underneath the base unit.
- Keep the cables and steam pipe away from hot parts.
- Don't use the iron for any purpose other than those described in these instructions.
- Take care not to scratch the soleplate – avoid buttons, zips, etc.
- The iron has a protective thermal fuse, which will blow if it overheats. If this happens, the iron will stop working, and must be returned for repair.

HOUSEHOLD USE ONLY

PARTS

1. Thermostat light
2. Steam pipe
3. Water tank release button
4. Steam trigger
5. Hose clip
6. Control panel
7. On/off button
8. Low water light
9. Anti-scale filter warning light/reset button
10. Steam control
11. Reservoir
12. Plug storage socket
13. Cover
14. Anti-scale filter

BEFORE FIRST USE

- Remove any labels, stickers or packaging from the iron and soleplate.
- Before using the iron for the first time, or if it's not been used for a long time, iron a scrap piece of cotton (an old towel is ideal) to remove any accumulated residues.
- Don't worry if the iron smokes a bit at first, it will soon stop as the manufacturing residues evaporate.

AUTO SHUT-OFF

If you don't press the steam trigger for 10 minutes your iron's auto shut-off feature will operate. The thermostat light and the on/off button will flash to tell you that it is in auto shut-off mode. To cancel the auto shut-off mode, press the steam trigger. Note that your iron will need time to heat up again to the selected temperature. Wait until the temperature light has stopped flashing before resuming ironing.

FILLING/REFILLING

- Don't add anything to the water and don't use water with anything added to it. When the water is converted to steam, chemicals, perfume, and other additives will coat the inside of the steam chamber, shortening the life of the iron.
1. Press the water tank release button and pull the water reservoir away from the body of the steam generator (fig. A).
 2. Fill the reservoir to the **max** mark. Do not exceed the **max** mark.
 3. Refit the reservoir into the base unit pushing it in until it clicks.
- A warning light (🔥) will come on and the unit will beep twice when the reservoir needs refilling. If the reservoir is empty, the steam function will stop working after one minute, however, you can still use your iron without steam.

PRELIMINARY SETTINGS

1. Put the iron on top of the base unit.
2. Put the plug into the power socket (switch the socket on, if it's switchable).
3. Turn the unit on by pressing the on/off button.


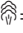
USING

The temperature of your iron is safe to use on all ironable fabrics and garments.

Dry ironing

1. Set the steam control to ☒.
2. When the temperature light stops flashing your iron is ready to use.

Steam ironing

1. Set the steam control to the setting you want,  = no steam,  = high steam.
 2. Squeeze the steam trigger to produce steam, release it to stop.
- Your steam generator produces steam very efficiently so use the trigger in short, controlled bursts. Too much steam can wet the fabric or cause condensation issues on your ironing board. Steam can also be reduced by setting the steam control to a lower setting.

NOTE: When you first start your steam generator and pull the trigger for steam ironing, there will be a delay as your steam generator pumps water from the reservoir to prime the system. This is normal and may take 20-30 seconds. This will also happen after refilling the reservoir.

VERTICAL STEAMING

Remove wrinkles from hanging clothes, hanging curtains, and furnishing fabrics.

- Check that there's adequate ventilation behind the fabric, otherwise moisture may build up, causing mildew.
 - Check that there's nothing behind the fabric that may be damaged by the steam.
 - Check that pockets, turn-ups, and cuffs are empty.
1. Hold the iron close to (but not touching) the fabric. Hold it well away for delicate fabrics.
 2. Squeeze the steam trigger to produce steam, release it to stop.


AFTER USE

1. Put the iron on top of the base unit.
2. Turn the unit off by pressing the on/off button.
3. Empty the reservoir.
4. Let the iron cool down completely before cleaning it, moving it, or storing it away.
5. The steam pipe can be coiled together and placed into the hose clip.
6. Wrap the mains cable around the steam generator then slot the plug into the plug storage socket.

CARE AND MAINTENANCE

1. Unplug the base unit, and let the appliance cool down fully.
2. Wipe outer surfaces with a damp cloth. If necessary, use a little washing-up liquid.
3. Remove spots from the soleplate with a little vinegar.
4. Take care not to scratch the soleplate

ANTI-SCALE FILTER

To extend the life of the appliance and to avoid problems with lime scale, your steam generator is fitted with an anti-scale filter. When the anti-scale filter needs cleaning, the anti-scale filter warning light () will come on. If the warning light comes on when you are ironing you can continue without cleaning the filter. The next time you use your steam generator the light will flash and the unit will beep three times. The filter must be cleaned before using your steam generator again.

Before attempting to remove and clean the filter you must unplug and allow the appliance to stand for at least 1 hour to allow any built up steam and heat to dissipate.

To clean the filter:

1. Switch off and unplug your steam generator
2. Remove the iron from the top of the generator to expose the cover beneath.
3. Open the cover.

4. Unscrew the plug underneath the cover and lift the plug and filter assembly out of the base (Fig B).
5. Remove the filter from the plug by twisting it (fig C).
6. Rinse the filter under a tap to remove any deposits. Use a soft brush if necessary.
7. Replace the filter onto the plug and twist it until it locks.
8. Refit the plug and filter assembly into the base and tighten it firmly. Close the cover.
9. Plug in your steam generator.
10. Reset the warning light by pressing and holding the anti-scale warning light/reset button (⊗) for 3 seconds until the light goes out.
11. Once the appliance is ready, pull the steam trigger until the steam is being produced. This will prime the system.

Important: Using the appliance without cleaning the filter can cause a reduction in the generated steam output and damage the appliance. The guarantee will not cover damage caused to the appliance by not cleaning the anti-scale filter when required.

Do not clean the anti-scale filter in a dishwasher. Wash by hand only using a soft bristled brush if necessary.

TROUBLESHOOTING

Your steam generator is programmed to check itself when it is switched on. If a problem is detected and the unit is not able to operate correctly, the steam trigger will stop working, the thermostat light will flash and the unit will beep continuously. If this should happen, stop using your steam generator.

Light Flashing	Beeps	Status
Anti-scale warning light (⊗) flashing	3	Anti-scale filter needs cleaning
Thermostat light and on/off button flashing	-	Auto shut off activated
Low water light (⚡) flashing	2	Water tank empty
Thermostat light flashing	-	Iron is heating up
Thermostat light flashing	Continuous	Internal error. Discontinue use.

RECYCLING



To avoid environmental and health problems due to hazardous substances, appliances and rechargeable and non-rechargeable batteries marked with one of these symbols must not be disposed of with unsorted municipal waste. Always dispose of electrical and electronic products and, where applicable, rechargeable and non-rechargeable batteries, at an appropriate official recycling/collection point.

SERVICE

If you ring Customer Service, please have the Model Number to hand, as we won't be able to help you without it. It's on the rating plate (usually underneath the product).

The product isn't user-serviceable. If it's not working, read the instructions, check the plug fuse and main fuse/circuit breaker. If it's still not working, consult your retailer.

If that doesn't solve the problem – ring Customer Service – they may be able to offer technical advice.

If they advise you to return the product to us, pack it carefully, include a note with your name, address, day phone number, and what's wrong. If under guarantee, say where and when purchased, and include proof of purchase (till receipt). Send it to:

Customer Service

Spectrum Brands (UK) Ltd

Fir Street, Failsworth, Manchester M35 0HS

email: support@russellhobbs.com

telephone: 0345 658 9700 (local rate number)

Please note: If you have purchased the product within the last 6 months, please contact the retailer in the first instance to deal with any matters relating to warranty.

GUARANTEE

Defects affecting product functionality appearing within the guarantee period will be corrected by replacement or repair at our option provided the product is used and maintained in accordance with the instructions. Your statutory rights are not affected.

This warranty shall not be valid where it is contrary to U.S. and other applicable laws, or where the warranty would be prohibited under any economic sanctions, export control laws, embargos, or other restrictive trade measures enforced by the United States or other applicable jurisdictions. This includes, without limitation, any warranty claims implicating parties from, or otherwise located in, Cuba, Iran, North Korea, Syria and the Crimea region.

Guarantee period = 2 years from first retail purchase.

To claim an extra 1 year guarantee, register your product online within 28 days of purchase. Register at:

uk.russellhobbs.com/product-registration

Consumables are guaranteed only for their recommended lifecycle. Replacement/Spare parts* are excluded and are only covered by a 1 year warranty.

* Examples include filters, removable grill plates, drip trays/crumb trays etc.



www.russellhobbs.com for more products